

LOAD RESTRAINT GUIDELINE

Building Envelope Profiles - UK

1. This guideline applies to:

- Building Envelope Profiles banded in packs.
- Lowest packaged product on product friction factor $\mu = 0.36$; tested according to EN 12195-1:2010 Annex B.1.2.

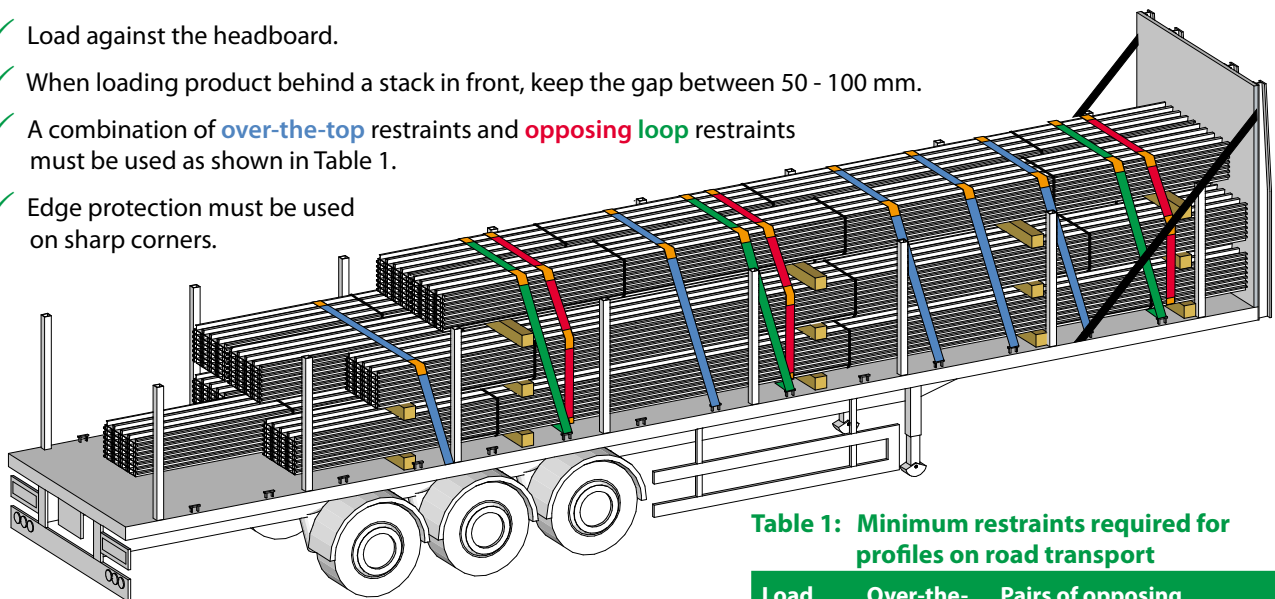
Note: This Load Restraint Guideline does not apply to RoofDek D200 or Structural Liner Trays.

2. Equipment requirements

- All webbing straps must be compliant with EN 12195-2, minimum lashing capacity LC 2000 daN.
- Hammock straps can be used for the **over-the-top** and **opposing loop** restraints on panels if preferred.
- Headboard or forward blocking to cover the front of the load or facilities available to apply cross-over straps, see Section 4.
- Headboard must be capable of withstanding a force of 100 kN i.e. approximately 10 tonnes. See Technical Information Sheet TIS-0010 Trailer headboards for more information.
- Side pins are recommended for loading and unloading safety.

3. Overview of restraint system for road transport profile loads

- ✓ Load against the headboard.
- ✓ When loading product behind a stack in front, keep the gap between 50 - 100 mm.
- ✓ A combination of **over-the-top** restraints and **opposing loop** restraints must be used as shown in Table 1.
- ✓ Edge protection must be used on sharp corners.



Shown for a 16 t load against a 10 t headboard

Table 1: Minimum restraints required for profiles on road transport

Load weight	Over-the-tops		Pairs of opposing loops		Total
0 - 15 t	3	+	3	=	9
15 - 20 t	5	+	3	=	11
20 - 26 t	6	+	4	=	14

This Load Restraint Guideline is designed and tested to meet the forces for road and sea transport as stated in EN 12195-1:2010 and VDI 2700. Due to the nature of the product the Standard Tension Force is assumed to be 100 daN or higher.

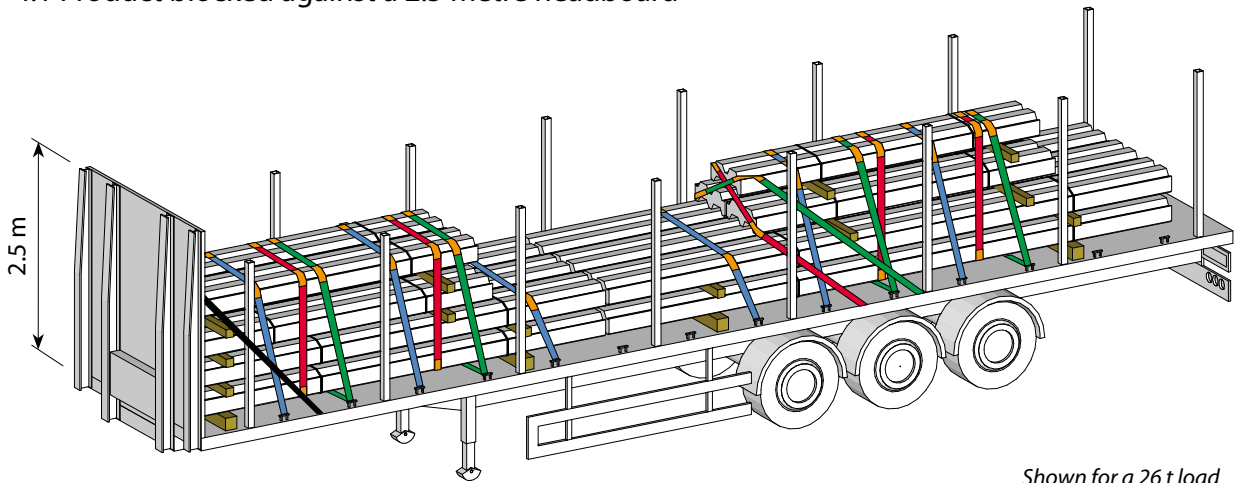
LOAD RESTRAINT GUIDELINE

Building Envelope Profiles - UK

4. Forward restraint options

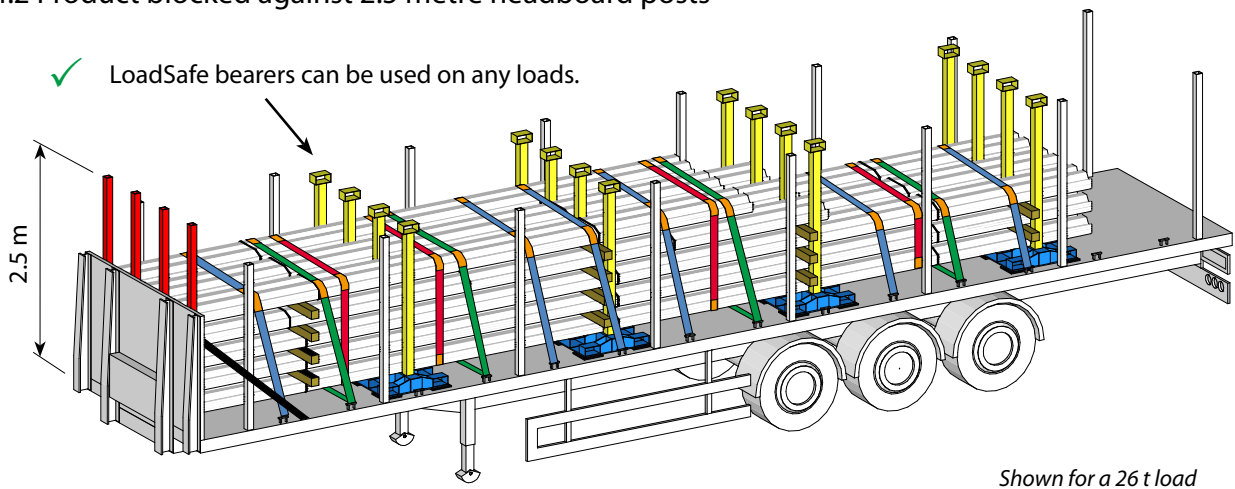
The following options can be used for forward blocking of the load.

4.1 Product blocked against a 2.5 metre headboard

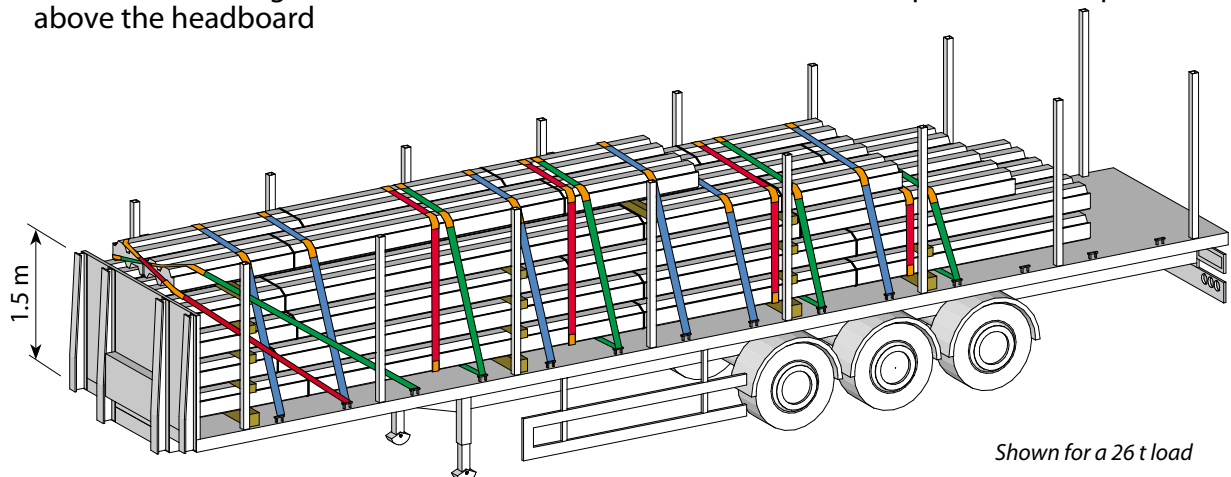


4.2 Product blocked against 2.5 metre headboard posts

✓ LoadSafe bearers can be used on any loads.



4.3 Product blocked against a 1.5 metre headboard with cross-over straps around the product above the headboard

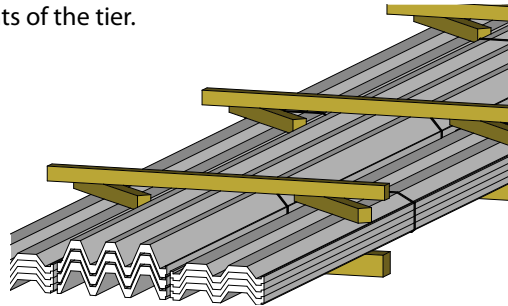


LOAD RESTRAINT GUIDELINE

Building Envelope Profiles - UK

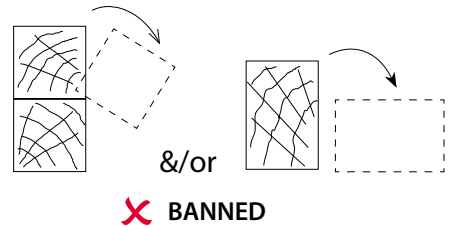
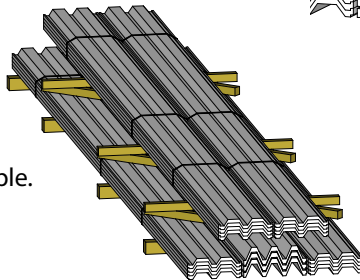
5. Uneven tiers

- ✓ Create grillage to suit the different product heights of the tier.
- ✓ Dunnage must span the width of the bundle.
- ✓ Ensure dunnage is not double stacked in line.
- ✓ Place smaller dunnage at an angle to avoid the upper dunnage sliding off.



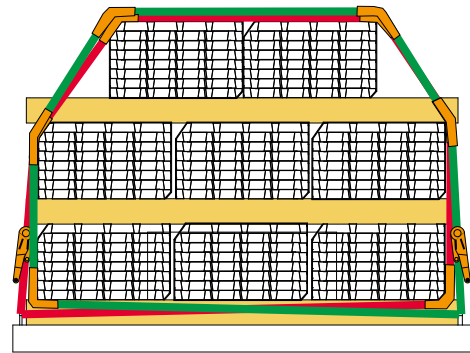
Note:
Recommended
dunnage size is
75 mm x 75 mm.

- ✓ Load next tier onto the level dunnage.
- ✓ Ensure product is stable.



6. Opposing loop webbing straps

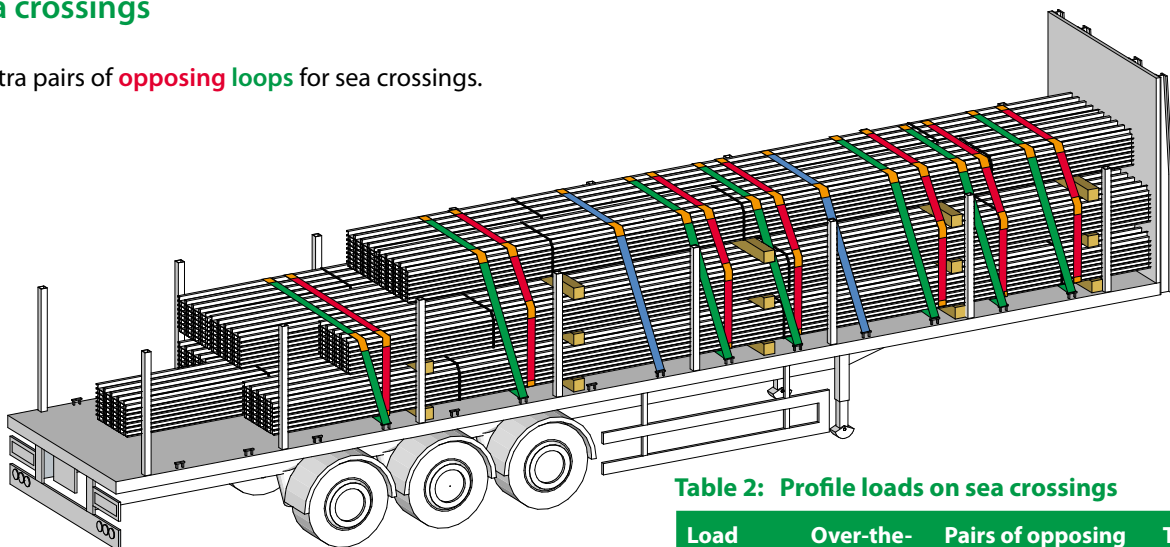
- ✓ Wrapped around all product.
- ✓ Edge protection must be used on sharp corners.
- ✓ **Opposing loops** must be applied as a pair.
- ✗ Not to be used as a substitute for over-the-top restraints.



Opposing loop webbing straps with tensioners

7. Sea crossings

Add extra pairs of **opposing loops** for sea crossings.



Shown for a 16 t load against a 10 t headboard

Table 2: Profile loads on sea crossings

Load weight	Over-the-tops	Pairs of opposing loops	Total straps
0 - 15 t	2 +	5	= 12
15 - 20 t	2 +	7	= 16
20 - 26 t	2 +	8	= 18

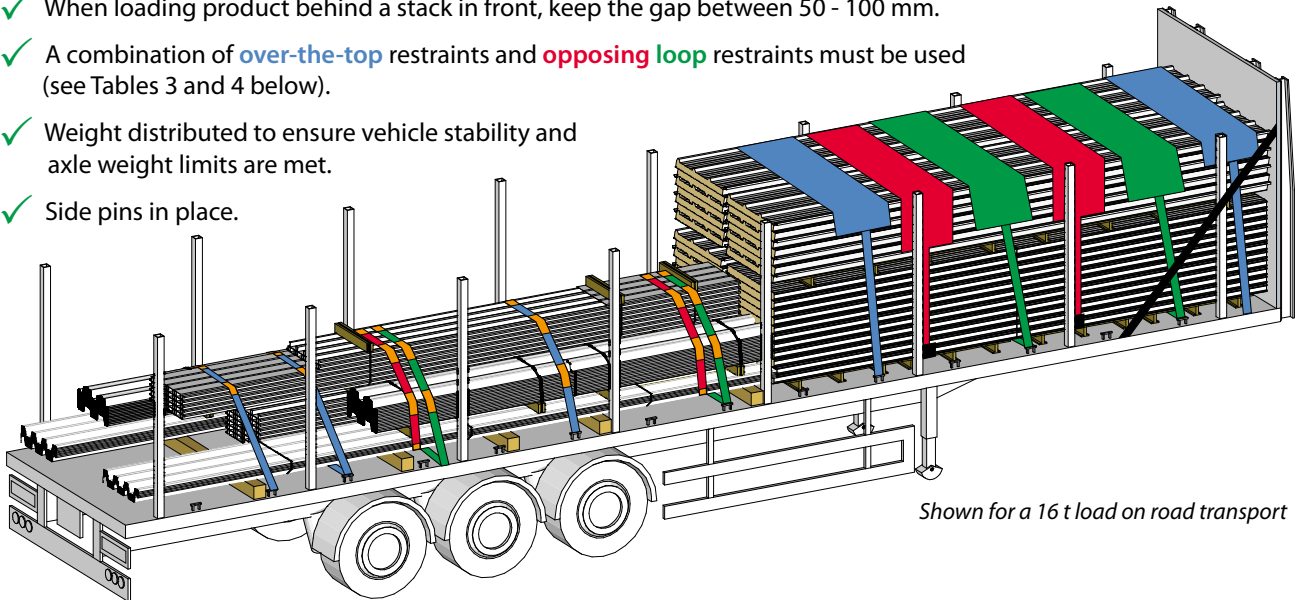
LOAD RESTRAINT GUIDELINE

Building Envelope Profiles - UK

8. Mixed loads

8.1 General considerations

- ✓ Load against the headboard.
- ✓ When loading product behind a stack in front, keep the gap between 50 - 100 mm.
- ✓ A combination of **over-the-top** restraints and **opposing loop** restraints must be used (see Tables 3 and 4 below).
- ✓ Weight distributed to ensure vehicle stability and axle weight limits are met.
- ✓ Side pins in place.



Shown for a 16 t load on road transport

Table 3: Minimum restraints required for road transport mixed loads

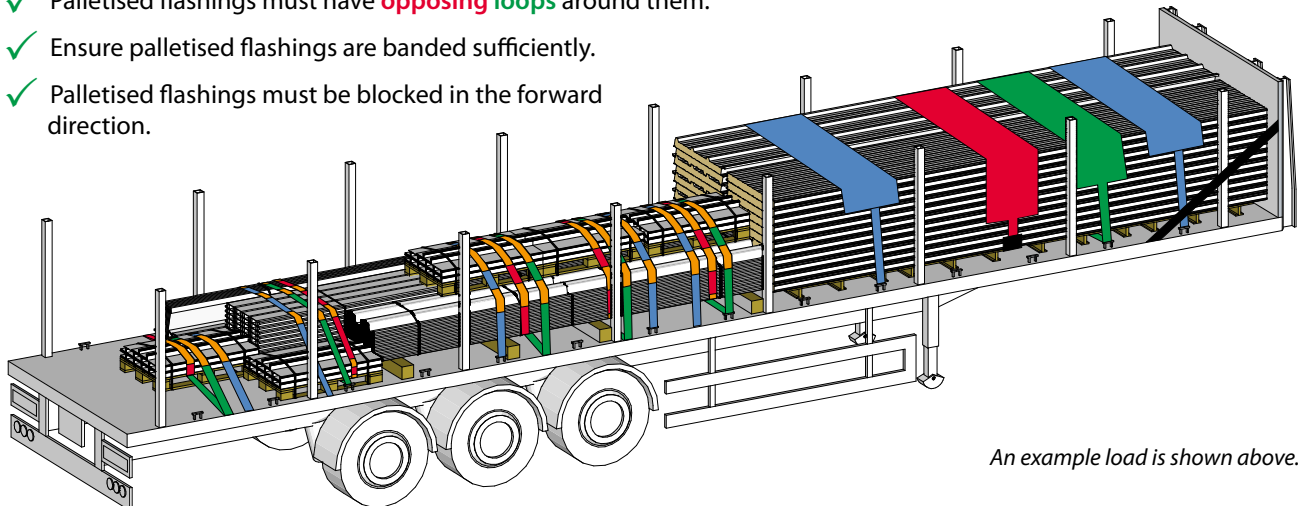
Load weight	Over-the-tops	Pairs of opposing loops	Total
0 - 15 t	3	+	3 = 9
15 - 20 t	5	+	3 = 11
20 - 26 t	6	+	4 = 14

Table 4: Minimum restraints required for sea transport mixed loads

Load weight	Over-the-tops	Pairs of opposing loops	Total straps
0 - 15 t	2	+	5 = 12
15 - 20 t	2	+	7 = 16
20 - 26 t	2	+	8 = 18

8.2 Palletised components

- ✓ Load palletised flashings onto stable areas of the load.
- ✓ Palletised flashings must have **opposing loops** around them.
- ✓ Ensure palletised flashings are banded sufficiently.
- ✓ Palletised flashings must be blocked in the forward direction.



An example load is shown above.

Care has been taken to ensure that the contents of this publication are accurate, but Tata Steel Europe Limited and its subsidiaries do not accept responsibility or liability for errors or information that is found to be misleading.